

強力高精密銑削頭 POWER, HIGH PRECISION MILLING HEADS



搪銑削頭專業製造
PROFESSIONAL MANUFACTURER
OF THE MILLING HEAD

公司簡介

凱程功陽(KAEN GONG YANG)於2018年正式成立，為搪銑削頭製造業龍頭「功陽精機」旗下之關係企業，專業製造:CNC搪銑削頭、萬向銑頭、延伸頭、直角銑頭、角度頭、接管、雙主軸銑頭及客製化相關品項。

凱程功陽除了傳承超過四十年的專業製造技術外，並將秉持精益求精追求完美的職人精神，不斷提升技術水平來面對未來的挑戰。希冀在工具機業持續領導者的角色，讓每台工具機、都能夠展現最佳的切削動力，為贏得使用者的肯定與信賴而努力不懈。

Company Profile

Established locally in 2018, Kaen Gong Yang is known as the affiliated company of GongYang, which is one of the first dedicated boring and milling head manufacturers in Taiwan. We specialize in the manufacturing of CNC boring and milling heads, universal milling heads, extension heads, right-angle milling heads, angle heads, take-overs, twin-spindle milling heads and customized items. With the forty-year experience that Gong Yang has passed on, we restlessly pursue the excellence and perfection of manufacturing, upgrade the techniques and take on all the challenges. As a pioneer of the manufacturing, we bear all our clients' satisfaction in mind.



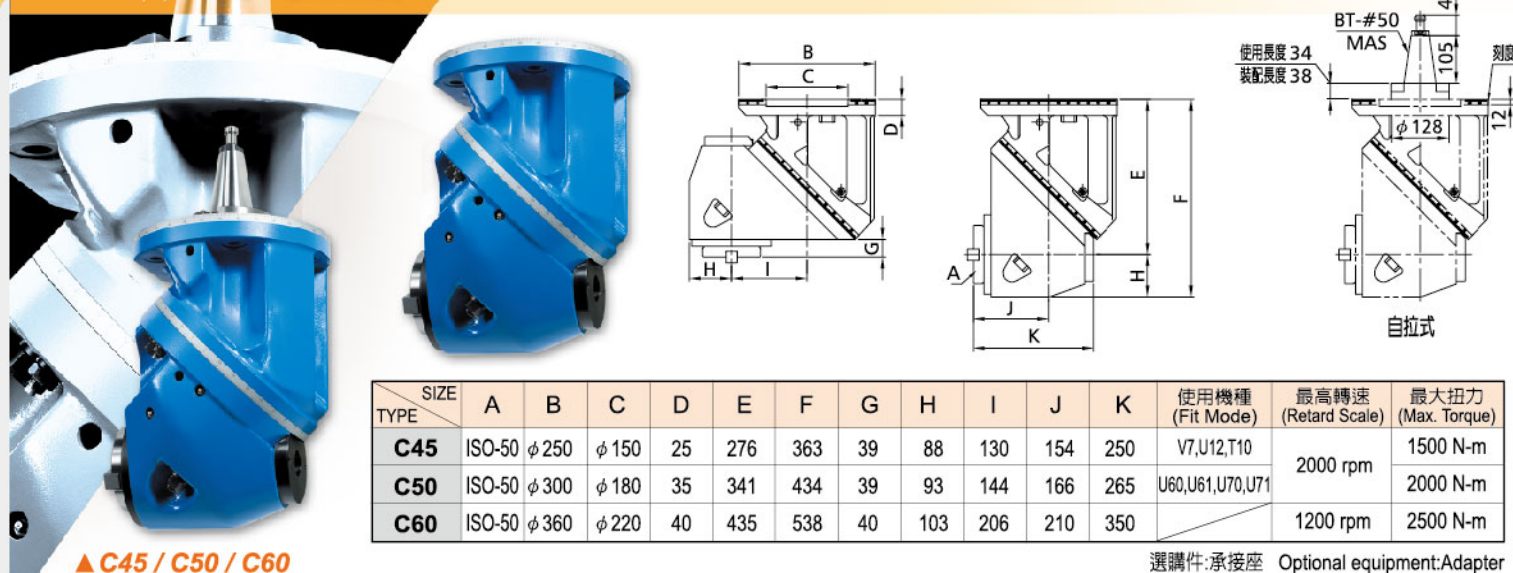
設計 Design >>>

品質 Quality >>>

製造 Manufacture >>>

萬向銑頭

Multi-angular Milling Head



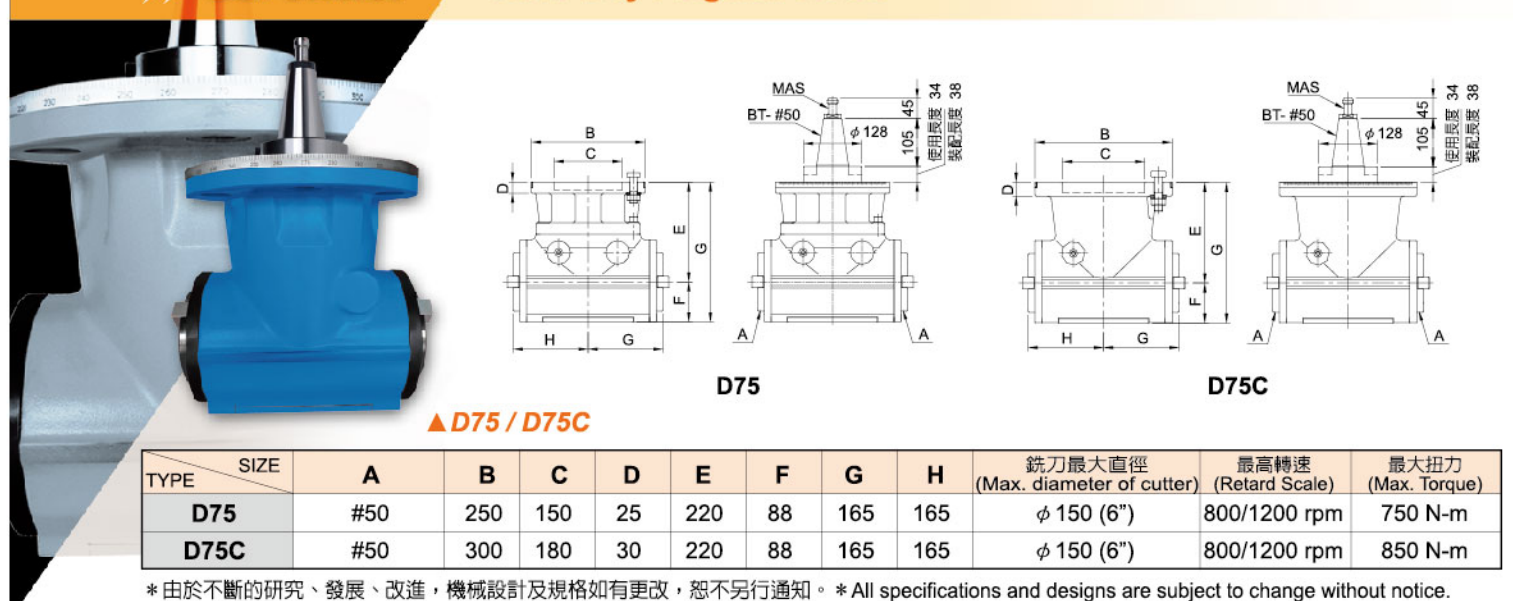
▲C45 / C50 / C60

SIZE TYPE	A	B	C	D	E	F	G	H	I	J	K	使用機種 (Fit Mode)	最高轉速 (Retard Scale)	最大扭矩 (Max. Torque)
C45	ISO-50	φ250	φ150	25	276	363	39	88	130	154	250	V7,U12,T10	2000 rpm	1500 N-m
C50	ISO-50	φ300	φ180	35	341	434	39	93	144	166	265	U60,U61,U70,U71	1200 rpm	2000 N-m
C60	ISO-50	φ360	φ220	40	435	538	40	103	206	210	350			2500 N-m

選購件:承接座 Optional equipment:Adapter

雙向銑頭

Twin-way Angular Head



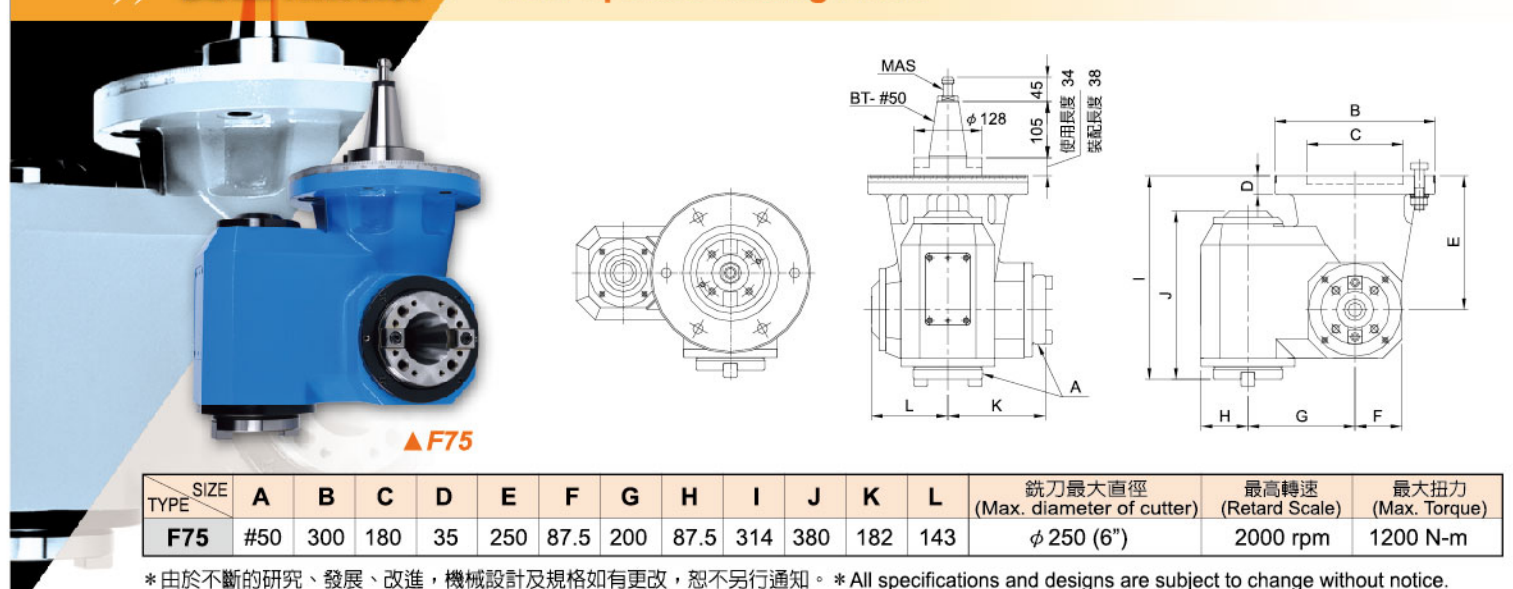
▲D75 / D75C

TYPE	SIZE	A	B	C	D	E	F	G	H	銑刀最大直徑 (Max. diameter of cutter)	最高轉速 (Retard Scale)	最大扭矩 (Max. Torque)
D75	#50	250	150	25	220	88	165	165	165	φ150 (6")	800/1200 rpm	750 N-m
D75C	#50	300	180	30	220	88	165	165	165	φ150 (6")	800/1200 rpm	850 N-m

由於不斷的研究、發展、改進，機械設計及規格如有更改，恕不另行通知。 All specifications and designs are subject to change without notice.

雙主軸銑頭

Twin Spindle Milling Head



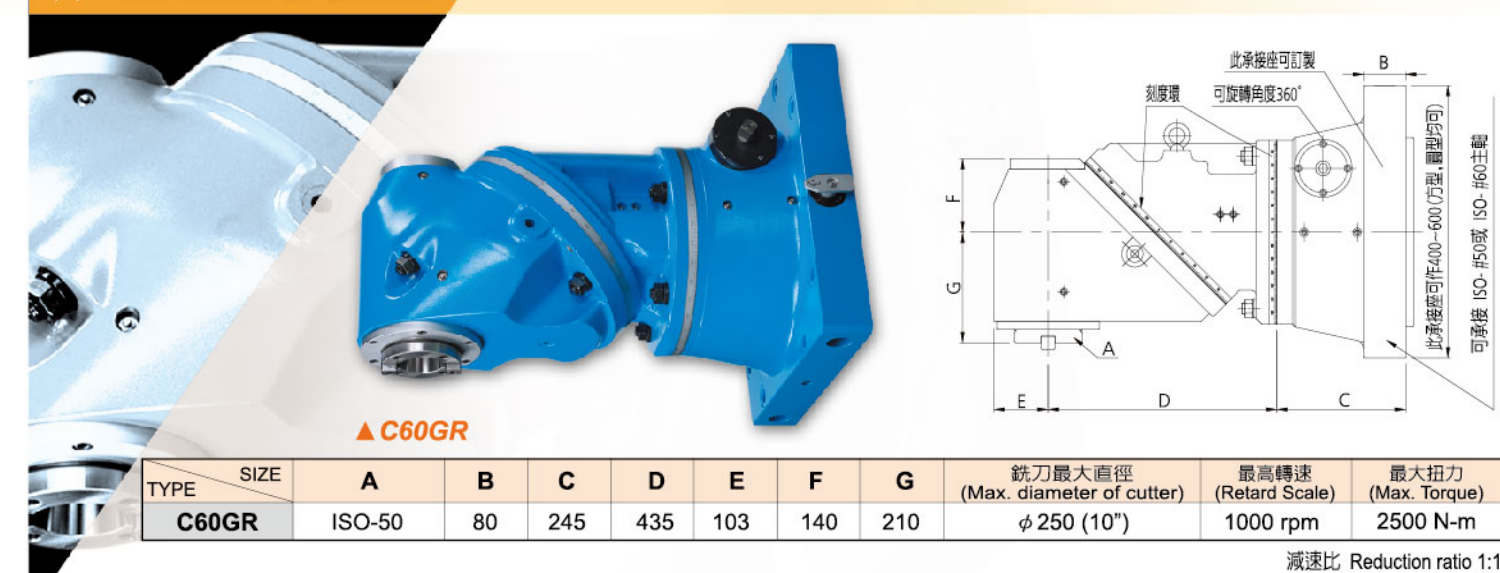
▲F75

SIZE TYPE	A	B	C	D	E	F	G	H	I	J	K	L	銑刀最大直徑 (Max. diameter of cutter)	最高轉速 (Retard Scale)	最大扭矩 (Max. Torque)
F75	#50	300	180	35	250	87.5	200	87.5	314	380	182	143	φ250 (6")	2000 rpm	1200 N-m

由於不斷的研究、發展、改進，機械設計及規格如有更改，恕不另行通知。 All specifications and designs are subject to change without notice.

落地搪萬向銑頭

Multi-angular Head for Floor-type Boring Machine



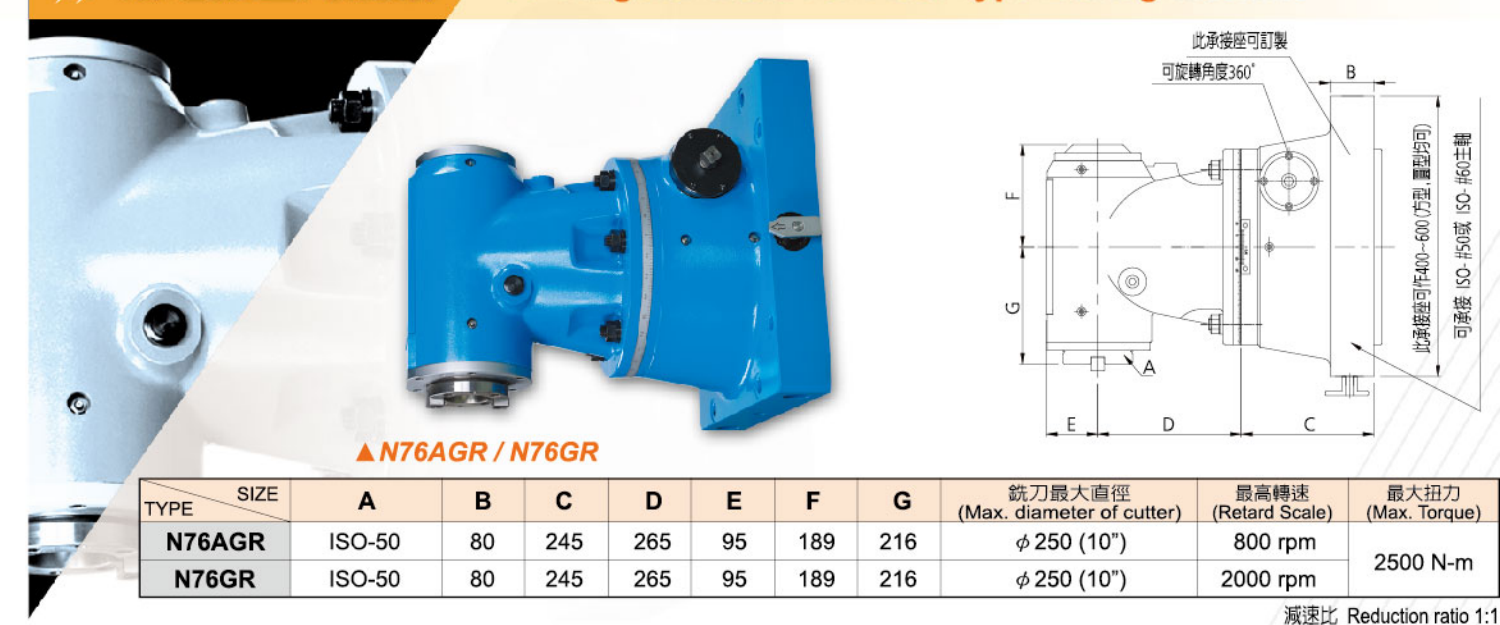
▲C60GR

TYPE	SIZE	A	B	C	D	E	F	G	銑刀最大直徑 (Max. diameter of cutter)	最高轉速 (Retard Scale)	最大扭矩 (Max. Torque)
C60GR	ISO-50	80	245	435	103	140	210	210	φ250 (10")	1000 rpm	2500 N-m

減速比 Reduction ratio 1:1

落地搪直角銑頭

90° Angular Head for Floor-type Boring Machine



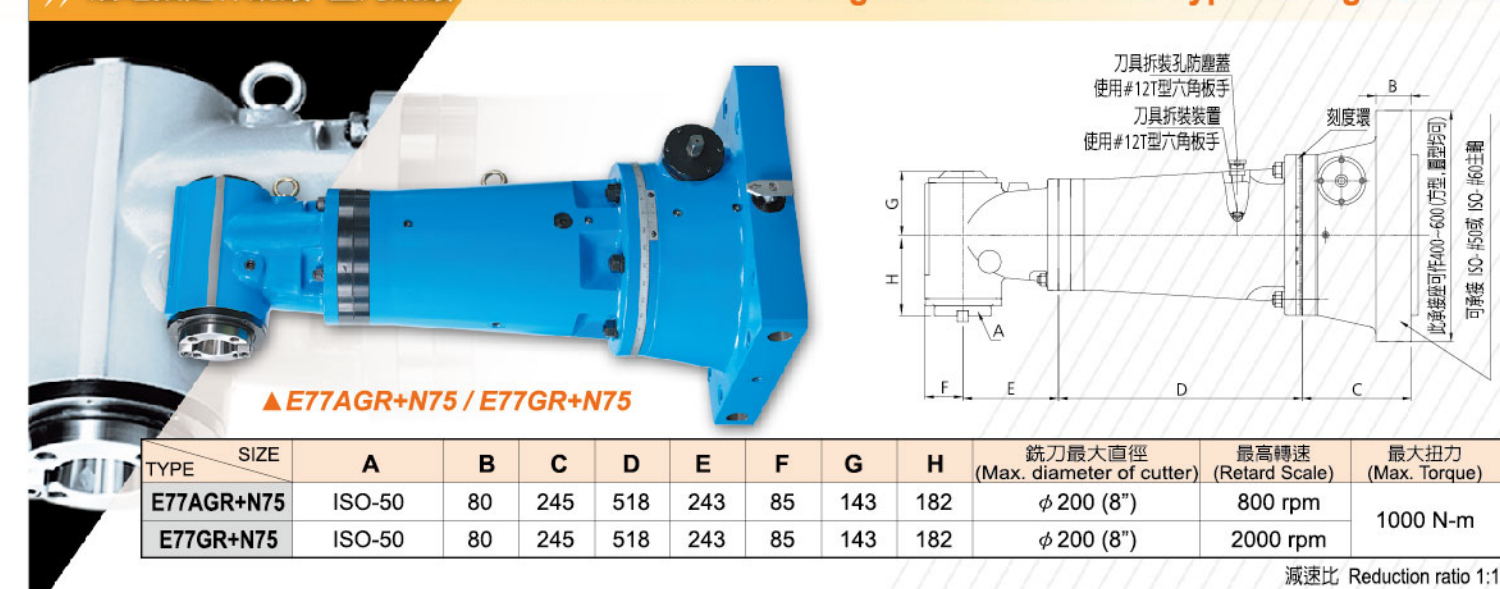
▲N76AGR / N76GR

TYPE	SIZE	A	B	C	D	E	F	G	銑刀最大直徑 (Max. diameter of cutter)	最高轉速 (Retard Scale)	最大扭矩 (Max. Torque)
N76AGR	ISO-50	80	245	265	95	189	216	216	φ250 (10")	800 rpm	2500 N-m
N76GR	ISO-50	80	245	265	95	189	216	216	φ250 (10")	2000 rpm	2500 N-m

減速比 Reduction ratio 1:1

落地搪延伸銑頭+直角銑頭

Extend Head & 90° Angular Head for Floor-type Boring Machine



▲E77AGR+N75 / E77GR+N75

TYPE	SIZE	A	B	C	D	E	F	G	H	銑刀最大直徑 (Max. diameter of cutter)	最高轉速 (Retard Scale)	最大扭矩 (Max. Torque)
E77AGR+N75	ISO-50	80	245	518	243	85	143	182	182	φ200 (8")	800 rpm	1000 N-m
E77GR+N75	ISO-50	80	245	518	243	85	143	182	182	φ200 (8")	2000 rpm	1000 N-m

減速比 Reduction ratio 1:1